

RBAND/UMS - RBAND/CSM

● INTRODUCTION

DESCRIPTION

The RadioBand system is designed of Industrial, Commercial and Domestic door and gate applications where a safety edge is used. The system provides a wireless system replacing spiral cables or energy chain systems to provide the safety signal to the door or gate control panel. The receiver monitors the status of transmitters connected to it.

Up to three transmitters per output can be connected to the receiver. There are two outputs on each receiver. The system is compatible with 8K2 monitored safety edges, opto safety edges and volt free safety contacts. Two inputs available in the transmitter.

The system complies with EN 954-1 Category 2.

USE OF THE SYSTEM

This equipment is designed to be installed with a safety edge for door and gate installations. It is not guaranteed for directly activating equipment other than that specified.

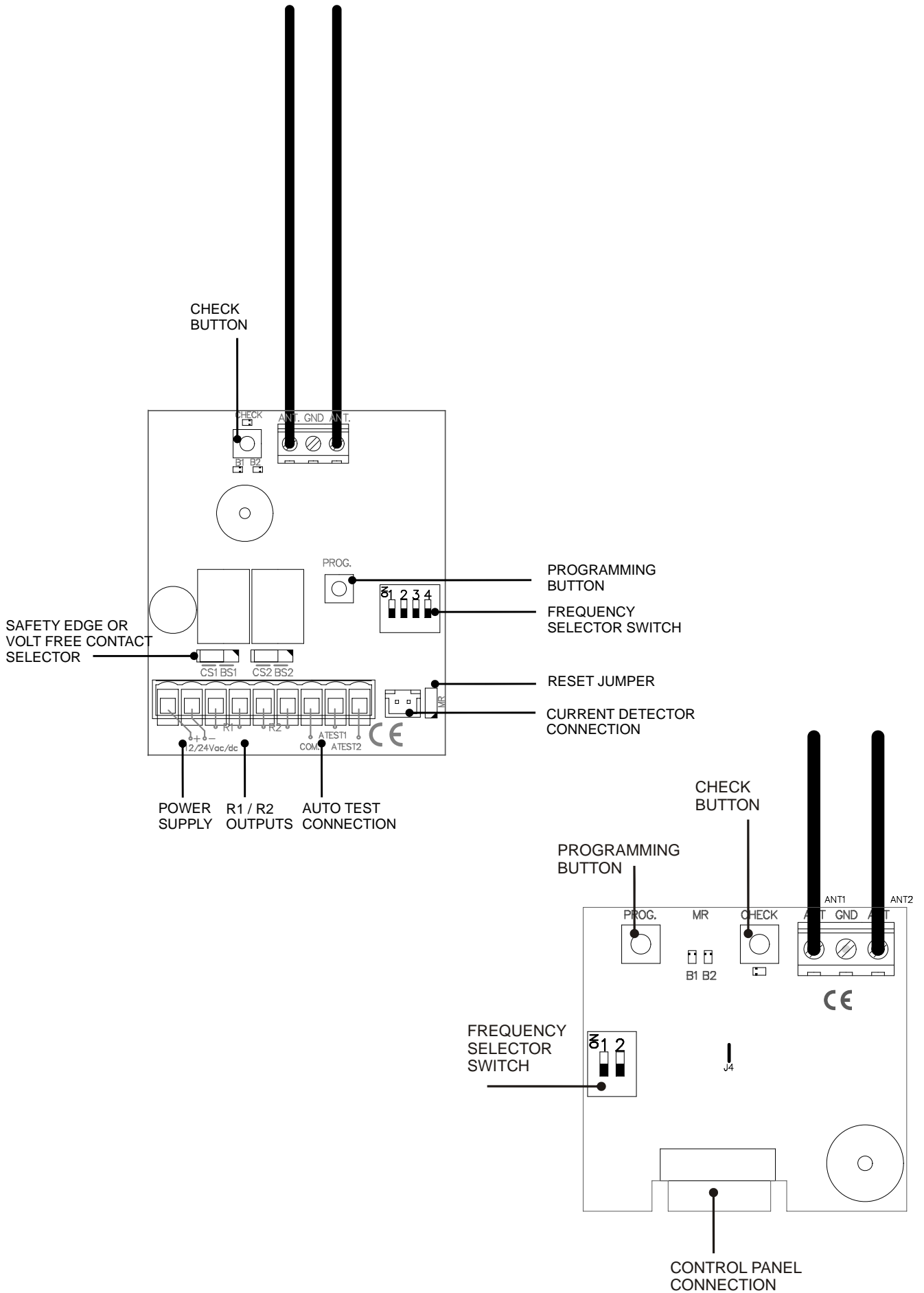
The manufacturer reserves the right to change the specification of the equipment without prior warning.

● TECHNICAL CHARACTERISTICS

System non compatible with RADIOBAND 1G.

	RBAND/UMS	RBAND/CSM
Frequency	Multifrequency system (433 MHz, 868 MHz)	Multifrequency system (433 MHz, 868 MHz)
Memory	6 transmitters (3 on relay 1, 3 on relay 2)	6 transmitters (3 on relay 1, 3 on relay 2)
Relay numbers	2 relays	---
Power supply	12/24V ac/dc	pluggable
Power supply range	9-35V dc 8-28V ac	---
Relay contacts	1A	1A
Consumption standby/operating	Max 255mA	Max 20mA
Autotest signal input	Two 0/12/24V ac/dc inputs with selectable polarity	integrated
Radiated power	< 25mW	< 25mW
Operating temperature	-40°C a +85°C	-40°C a +85°C
Seal	IP54 (with IP65 cable seals)	IP20
Box size	82 x 190 x 40mm	50 x 47 x 14mm
Range	10 metres	10 metres

RBAND/UMS - RBAND/CSM



RBAND/UMS - RBAND/CSM

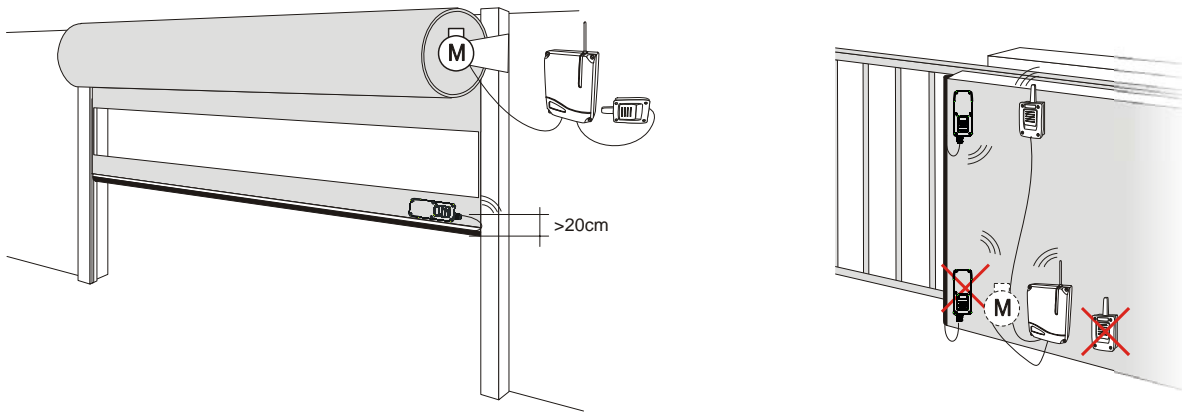
● INSTALLATION PROCEDURE AND BASIC WIRING

MECHANICAL INSTALLATION RBAND/UMS

Fix the back of the box to the wall, using the wall plugs and screws supplied. Install the receiver, close to the door and avoid metal surfaces between the receiver and the transmitter. Pass the cables through the bottom of the receiver. Connect the power cables to the terminals of the printed circuit, following the indications of the connections diagram. Store transmitters. Fix the front of the receiver to the back with the screws supplied for the purpose.

INSTALLATION ADVISES

Use the cable entry at the bottom of the receiver for the power supply and control connections.
 The transmitter and receiver antenna must be parallel to each other for optimum signal reception.
 Fit the batteries ensuring the correct polarity.
 After programming the transmitter re-fit the front cover of the transmitter and the receiver.



MECHANICAL INSTALLATION RBAND/CSM

Connect to a control panel using a connector for safety devices. The power supply must be disconnected.

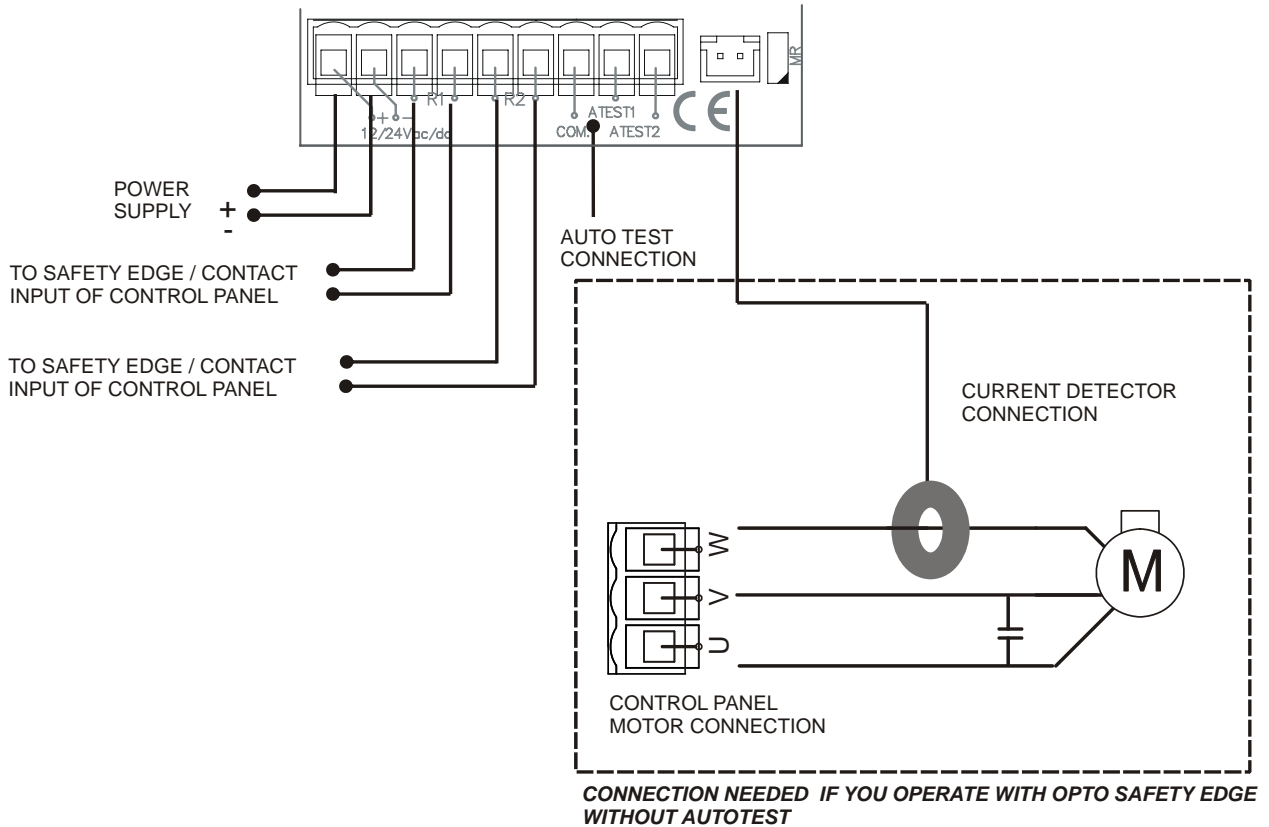
OPTIONS SELECTOR

Option No	ON	OFF
1 – Channel selection	See table Multifrequency system	See table Multifrequency system
2 – Channel selection	See table Multifrequency system	See table Multifrequency system
3 – Autotest polarity	Negative polarity	Positive polarity
4 – Relay 2 function	Low battery indicator	Normal function

Nota: Options 3 and 4 non available in RBAND/CSM

● ELECTRICAL CONNECTIONS

RBAND/UMS - RBAND/CSM



The outputs can be configured to act an 8k2 or as a N/C Contact.

- The relay jumper in position **BS** the output is 8K2.
- The relay jumper in position **CS** the output is N/C Contact.

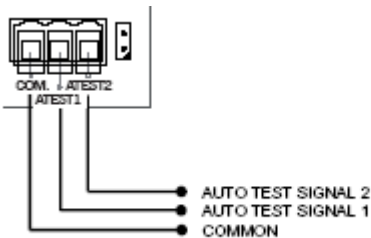


AUTOTEST SIGNAL

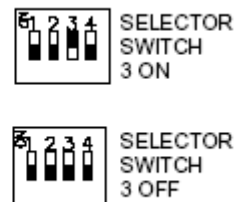
Whilst the RadioBand receiver monitors the RadioBand transmitter every 20 seconds, the system must be tested at the exact time when the door/gate receives a signal to move. This test is done with the auto test signal.

The auto test signal ensures that all of the parts of the safety edge system are ok before the door/gate can operate.

The auto test signal is sent from the door/gate control panel and activates the output from the RadioBand receiver. When the door/gate control panel receives this output it allows the door/gate to start.



THE RADIOBAND RECEIVER WILL ACCEPT TWO TYPES OF AUTO TEST SIGNAL. THE FUNCTION SELECTOR SWITCH MUST BE PUT IN THE CORRECT POSITION FOR THE AUTO TEST SIGNAL.



RBAND/UMS - RBAND/CSM

The RadioBand receiver will accept two types of auto test signal. The function selector switch must be put in the correct position for the auto test signal.

1- Positive autotest: A 0V signal which switches to 12/24V ac/dc for the auto test.

2- Negative autotest: A 12/24V ac/dc signal which switches to 0V for the auto test.
Both autotest inputs must be connected although one of them is not used.

The auto-test signal from the control panel must only remain activated for up to 3 seconds.

In order to comply with the EN ISO 13849-1 safety standard, it is necessary to connect the autotest signal.

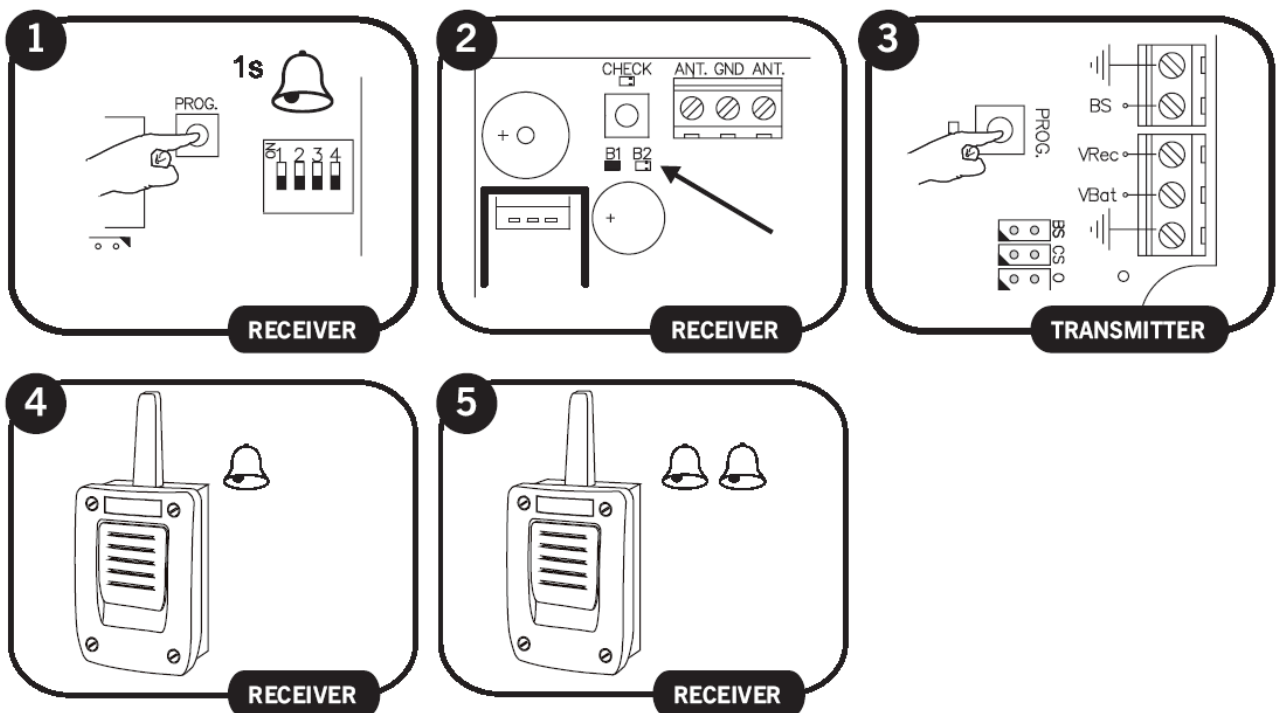
• PROGRAMMATION

Each safety edge transmitter must be learnt into the appropriate channel of the safety edge receiver.

Mode	Configuration of transmitter programming in the receiver.	Led R1	Led R2
1	By pressing the transmitter, relay 1 on the receiver will be activated	ON	OFF
2	By pressing the transmitter, relay 2 on the receiver will be activated	OFF	ON
3	By pressing the transmitter, the two relays will be activated at the same time	ON	ON
4	The relays are activated 1st relay by channel 1 (operate as normal operation for connecting a safety element) and 2nd relay by channel 2 (operates as a normally open contact for connecting an auxiliary input) (connection of an auxiliary input, the sender transmits the status of the auxiliary input to the second relay of the receiver)	Flashing	Flashing

Notes:

- Modes 1, 2 and 3: Up to 6 transmitters (3 on output **R1** and 3 on output **R2**) can be connected to the receiver in modes 1, 2 and 3.
- Mode 4: In this mode only 3 transmitters can be connected to the receiver. The second relay cannot make the function of indicating low battery.
- Each transmitter can be configured independently on the receiver.
- A Transmitter should only be connected to one receiver.



RBAND/UMS - RBAND/CSM

If 10 seconds pass without programming a transmitter, the receiver will exit the programming mode.

If when programming a transmitter the receiver's memory is full then it will emit 7 beeps of 0.5 sec and exit the programming mode.

MULTIFREQUENCY CHANNEL

For a better communication between the devices of the system and to avoid possible interferences, the system incorporates 4 communication channels selectable by the users.

Moreover, it incorporates a security channel that will be used for guarantee the functioning in front of possible communications failures on the selected channel.

Channels	Frequency bands (MHz)	Switch 1	Switch 2
Channel 1 (*)	868,700 – 869,200	OFF	OFF
Channel 2	868,000 – 868,600	ON	OFF
Channel 3	869,400 – 890,650	OFF	ON
Channel 4	869,700 – 870,000	ON	ON
Security channel	433,050 – 434,790	---	---

(*) Default recommended channel

In front of low levels of signal (see function **CHECK**) or interferences on the selected channel, it could be possible to select another communication channel, being necessary to program again all the transmitters.

● MAINTENANCE

SYSTEM CHECK

This function has to be used to check the operation and range of all the devices once the installation has been carried out.

Press the receiver's **CHECK** button for at least 1 second to enter check mode. The indicator light will come on and four beeps will be heard.

Perform a complete door opening and closing manoeuvre. During the system check a beep will be heard every 1,5 seconds.

CORRECT OPERATION OF THE SYSTEM

If no other acoustic signal is heard on completing the manoeuvre, the system is operating correctly. Either press the **CHECK** button again or wait 5 minutes and the receiver will exit checking automatically, indicating with two beeps that the check has been correct. The check indicator light will go out.

DETECTION OF TRANSMISSION FAILURE

If the communication with a transmitter fails during checking, or the communication is deficient (for instance, too many communication retries or poor coverage), the receiver emits three consecutive beeps, indicating that an error has occurred. Halt the door manoeuvre and press the safety edges installed to detect what has failed.

- If a single beep is heard on pressing a safety edge, this means that the safety edge is correct.
- If three consecutive beeps are heard on pressing the safety edge, this means that the safety edge has failed. In this event, it is recommended changing the orientation of the transmitting-receiving aerials or installing an AED-868 or FLAT-868 outdoor aerial to ensure the desired range.

On exiting check mode, seven consecutive beeps will be heard and the indicator light will flash continuously.

Perform another system check until the result is correct.

Signal coverage

After pressing one of the installed safety edges, continuous flashes, ranging from 1 to 5, indicate the signal coverage for this safety edge at the time it was pressed.

RBAND/UMS - RBAND/CSM

Number of check LED flashes	Coverage	Result of check
1	Very weak	Safety edge failure
2	Weak	OK
3	Normal	OK
4	Good	OK
5	Very good	OK

TOTAL RESET

In programming mode, keep the programming **PROG** button pressed down and make a bridge with the “MR” reset jumper for 3s. The receiver will emit 10 warning sound signals and then more at a faster frequency, indicating that the operation has been carried out. The receiver will stay in programming mode.

Wait for the receiver to exit the programming mode.

The receiver will exit the programming mode emitting two 1 sec beeps. If 10 seconds pass without programming a transmitter, the receiver will exit the programming mode.

TRANSMITTER BATTERY LOW INDICATOR

In normal conditions the battery should operate for two years.

If the battery of a transmitter programmed into the receiver becomes low, the receiver will beep 4 times every 20 seconds. If there is more than one transmitter programmed, each safety edge should be activated to identify, hearing the 4 beeps, which transmitter has a low battery. If the battery power is low, replace it immediately.

When the second relay of the receiver is not used for a safety edge, it can be used as a battery low indicator. It will activate the output relay when a transmitter with low battery is detected, useful to trigger an alarm. In this case the receiver will not indicate low battery with the beeps. Put dipswitch 4 on the function selector to **ON**.

Note: Only available in mode 1 and in RBAND/UMS model.

REPLACING THE TRANSMITTER BATTERY

Remove the box cover. Replace the two used batteries with new ones, taking into account the polarity indicated by the connector. **Check that the new batteries support the same temperature range as those they are replacing.**

REPLACING A TRANSMITTER

If a transmitter becomes damaged the whole system must be re-set and replacement and non-damaged transmitters must then be re-programmed into the receiver.

IMPORTANT ANNEX

Disconnect the power supply whenever you proceed to the installation or repair of the control panel.

In accordance with the European low voltage directive, you are informed of the following requirements:

- For permanently connected equipment, an easily accessible connection device must be incorporated into the cabling.
- This system must only be installed by a qualified person that has experience with automatic doors/gates and knowledge of the relevant EU standards.
- The instructions for use of this equipment must always remain in the possession of the user.
- Terminals with a maximum section of 3.8mm² must be used to connect the cables.
- The frequency of the RadioBand system does not interfere in any way with the 868 MHz remote control systems.

JCM TECHNOLOGIES, S.A. declares herewith that the product RBAND/UMS, RBAND/CSM complies with the requirements of the 1999/5/ CEE R&TTE Directive, 2004/108/EC Directive on electromagnetic compatibility and 2006/95/EC on low voltage, insofar as the product is used correctly.

CE CONFORMITY DECLARATION

See web www.motion-line.com